



AIRF • **RCE**[®]
a i r g u n s



RAW
RAPIDAIRWORX

At AirForce Airguns our passion for the sport of airgunning is what drives us forward. With over 20 years of airgun manufacturing experience, and the addition of RAW Airguns to the AirForce Family of companies, we are proud to continue our legacy into the future as America's premier air rifle and accessory manufacturer.

From the hunting blind to the competition firing line, AirForce offers shooters the pinnacle airgunning experience. With manufacturing facilities in Burleson, Texas and Minor Hill, Tennessee we are committed to keeping our airguns American made.

With an ever-growing list of states allowing airguns for taking big game, we aim to be at the forefront of the industry, and provide air rifles that are powerful, accurate and most importantly, reliable. With an AirForce air rifle in hand you can be sure that it will be ready when the opportunity presents itself.

Our proven designs have successfully harvested everything from squirrels and small varmints to red stag and bison. As a founding member of the Airgun Sporting Association we hope to continue the growth of airgun hunting in the United States.

At AirForce Airguns our greatest success is our customers success, whether it be in the field hunting big game, or in the backyard sharing the love of shooting sports with the next generation. We are committed to making the finest air rifles on the market.

Air is the future®.

For more information on all of
our products, please visit us at
www.airforceairguns.com
www.rapidairworx.com
www.bkltech.com



Photographs, descriptions and other information are purely indicative. AirForce Airguns reserves the right to change, modify or discontinue products or features at any time.

Since its release in 2015 the Texan has become the preferred big game hunting air rifle. Capable of producing 700 foot-pounds of muzzle energy in .510 caliber, the Texan has been used to successfully harvest deer, elk, hogs, and even African big game animals. This easy to operate big bore air rifle is made in Texas. It features a Lothar Walther barrel, tunable power, and a wide variety of caliber choices. Whether its long shots on coyotes or tight hunting from a ground blind there is a version of the Texan that will work for it all.



.257, .308, .357, .457 or .510 Caliber Lothar Walther Barrel
Adjustable Power. See our Manual for more information
on how to tune your rifle for your specific ammo used.
Low Effort Side Lever Cocking
Available in Original Black Finish



*Easy to operate
side lever action
on all Texan models.*

Max Fill Pressure3000 psi
Action Single shot
Weight 7.65 lbs
Length48 inches
Barrel.....34 inches
Caliber257, .308, .357, .457, .510
Trigger2 stage, adjustable for position
Safety Automatic on cocking
Air Tank Volume490cc
Sights Open or optical may be installed
Velocity..... Up to 1100 feet per second*
Energy.....Over 700 foot pounds*

* Depending on caliber, pellet weight, and power setting. Shown with optional accessories.

**As with all PCP rifles, an external air supply is needed but not supplied with the rifle.





The CF Series of Texan rifles have the added advantage of a carbon fiber air tank. This allows shooters to fill their rifle to 250 Bar (3625 PSI) and harness the ultimate in big bore airgun power. With a carbon fiber tank and 250 Bar fill the Texan jumps from 700 foot-pounds of muzzle energy in .510 to over 800 foot-pounds! The Texan CF series rifles are available in two calibers, .457 and .510 and in either standard Texan, Texan LSS, Texan SS or Texan Carbine configurations. Harness the power of 250 Bar with a rifle from the Texan CF Series and see why it has become the most successful big game hunting air rifle on the market.

.457 or .510 Caliber Lothar Walther Barrel
Carbon Fiber Air Tank

Adjustable Power. See our Manual for more information on how to tune your rifle for your specific ammo used.

Low Effort Side Lever Cocking

Available in Original Black Finish



Easy to operate side lever action on all Texan models.

Max Fill Pressure	3625 psi
Action	Single shot
Weight	6.9 lbs
Length	45 inches
Barrel	34 inches
Caliber457, .510
Trigger	2 stage, adjustable for position
Safety	Automatic on cocking
Air Tank Volume	480cc
Sights	Open or optical may be installed
Velocity	Up to 1100 feet per second*
Energy	Over 800 foot pounds*

* Depending on caliber, pellet weight, and power setting. Shown with optional accessories.

**As with all PCP rifles, an external air supply is needed but not supplied with the rifle.





Max Fill Pressure 3625 psi
 Action Single shot
 Weight 6 lbs
 Length 38 inches
 Barrel 24.75 inches
 Caliber457, .510
 Trigger 2 stage, adjustable for position
 Safety Automatic on cocking
 Air Tank Volume 480cc
 Sights Open or optical may be installed
 Velocity Up to 930 feet per second*
 Energy Over 600 foot pounds*

Max Fill Pressure 3625 psi
 Action Single shot
 Weight 7.2 lbs
 Length 42 inches
 Barrel 24.75 inches
 Caliber457, .510
 Trigger 2 stage, adjustable for position
 Safety Automatic on cocking
 Air Tank Volume 480cc
 Sights Open or optical may be installed
 Velocity Up to 930 feet per second*
 Energy Over 600 foot pounds*

Max Fill Pressure 3625 psi
 Action Single shot
 Weight 8.4 lbs
 Length 51.5 inches
 Barrel 34 inches
 Caliber457, .510
 Trigger 2 stage, adjustable for position
 Safety Automatic on cocking
 Air Tank Volume 480cc
 Sights Open or optical may be installed
 Velocity Up to 1100 feet per second*
 Energy Over 800 foot pounds*

* Depending on caliber, pellet weight, and power setting. Shown with optional accessories.

**As with all PCP rifles, an external air supply is needed but not supplied with the rifle.



The Texan LSS takes the 34 inch barrel of the Texan rifle and adds our Sound-Loc sound reducing technology to make the rifle as quiet as it is powerful. Because the LSS retains its full barrel length there is no power given up in order to have a quieter rifle, and because our Sound-Loc® system uses a reflex design it adds minimal overall length to the rifle itself. Available in .257,.308,.357,.457 and .510 caliber the Texan LSS can suit a wide array of hunting needs.

.257, .308, .357, .457 or .510 Caliber Lothar Walther Barrel
Adjustable Power. See our Manual for more information
on how to tune your rifle for your specific ammo used.
Low Effort Side Lever Cocking
Sound-Loc® Technology
Available in Original Black Finish



*Easy to operate
side lever action
on all Texan models.*

Max Fill Pressure3000 psi
Action Single shot
Weight9.3 lbs
Length53 inches
Barrel.....34 inches
Caliber257, .308, .357, 457, .510
Trigger2 stage, adjustable for position
Safety Automatic on cocking
Air Tank Volume490cc
Sights Open or optical may be installed
Velocity..... Up to 1100 feet per second*
Energy.....Over 700 foot pounds*

* Depending on caliber, pellet weight, and power setting. Shown with optional accessories.

**As with all PCP rifles, an external air supply is needed but not supplied with the rifle.



The Texan SS is the sound suppressed version of our Texan Carbine. Our most popular suppressed big bore air rifle, the TexanSS has specifically found a home among whitetail hunters who hunt from tree stands or saddles. The compact and quiet nature of the TexanSS also makes it a great option from urban hunting and population control by state wildlife and law enforcement agencies. Available in all big bore calibers the Texan SS can also be a great choice for coyote and hog hunters. With so much versatility in one rifle its easy to see why the Texan SS is so popular.



.257, .308, .357, .457 or .510 Caliber Lothar Walther Barrel
 Adjustable Power. See our Manual for more information
 on how to tune your rifle for your specific ammo used.
 Low Effort Side Lever Cocking
 Sound-Loc® Technology
 Available in Original Black Finish



Max Fill Pressure3000 psi
 Action Single shot
 Weight 8.45 lbs
 Length 43.5 inches
 Barrel.....24.75 inches
 Caliber257, .308, .357, .457, .510
 Trigger 2 stage, adjustable for position
 Safety Automatic on cocking
 Air Tank Volume490cc
 Sights Open or optical may be installed
 Velocity.....Up to 930 feet per second*
 Energy.....Over 500 foot pounds*

* Depending on caliber, pellet weight, and power setting. Shown with optional accessories.

**As with all PCP rifles, an external air supply is needed but not supplied with the rifle.

The Texan Carbine is a handy and lightweight version of the Texan rifle that was developed specifically to answer the call from hunters looking for a big bore air rifle for spot and stalk hunting in tight cover. The shortened 24.5 inch Lothar Walther barrel makes the Texan Carbine quick to bring to the shoulder and a great option if you are looking for a big bore air rifle to pack in your truck, on a four-wheeler, or even on horseback. The Texan Carbine comes in all the same calibers as the original Texan and is available in our original black finish.



.257, .308, .357, .457 or .510 Caliber Lothar Walther Barrel
 Adjustable Power. See our Manual for more information
 on how to tune your rifle for your specific ammo used.
 Low Effort Side Lever Cocking
 Sound-Loc® Technology
 Available in Original Black Finish

Max Fill Pressure3000 psi
 Action Single shot
 Weight7.5 lbs
 Length39 inches
 Barrel24.75 inches
 Caliber257, .308, .357, .457, .510
 Trigger2 stage, adjustable for position
 Safety Automatic on cocking
 Air Tank Volume490cc
 Sights Open or optical may be installed
 Velocity Up to 930 feet per second*
 Energy Over 500 foot pounds*

* Depending on caliber, pellet weight, and power setting. Shown with optional accessories.

**As with all PCP rifles, an external air supply is needed but not supplied with the rifle.



The TalonBolt is the newest product from AirForce. The new rifle fires a 400 grain, 18 inch bolt at over 400 feet per second. It weighs only 5.3 pounds making it easy to carry all day in the field. The rifle utilizes AirForce's Ring-Loc® valve system to allow adjustable velocity. This enables hunters to reduce velocities to improve broadhead accuracy or allow for bowfishing use. 2000 psi fill pressures allows the user more fills before needing to refill their supply tank.

The bolts for the new rifle have a shorter than normal 18 inch length, a heavy carbon fiber weave, and dual shatter resistant impact collars that combine to create a magnum bolt that is much stronger than other airgun bolts on the market. The bolts have high visibility glow in the dark vanes and feature a HitMarker™ band. The HitMarker™ band helps indicate the type of hit or miss after a bolt is fired to aid the shooter in planning the next step of their hunting strategy. The 300 grain bolts are supplied with a 100 grain field tip for a total weight of 400 grains.



- Light Weight for easy field carry.
- Adjustable Velocity using AirForce's Ring-Loc® system.
- AirForce accuracy and reliability.
- Available in Original Black Finish.



Max Fill Pressure	2000 psi
Action	Single shot
Weight	5.3 lbs
Length	40 inches
Barrel	26 inches
Trigger	2 stage, adjustable for position
Safety	Automatic on cocking
Air Tank Volume	490cc
Sights	Open or optical may be installed

* Shown with optional accessories.

**As with all PCP rifles, an external air supply is needed but not supplied with the rifle.

The Condor™ is the ultimate small-bore, single shot air rifle. Available in .177, .20, .22, and .25 calibers, this rifle has won favor with hunters, trappers, and anyone looking for a lightweight, high power, small-bore air rifle. Capable of producing 105 foot-pounds of muzzle energy in .25 caliber using our redesigned Ring-Loc™ valve system, the Condor can be used for everything from rabbits and squirrels to coyote hunting. The Condor also features a quick-change barrel, allowing shooters to have a single rifle that can be set up for multiple uses. Both versatile and powerful, the Condor is a true do all airgun.



The Condor is available in Blue, Red or Original Black Finishes.

- .177, .20, .22 or .25 Caliber Lothar Walther Barrel
- Lightweight
- Recoilless
- Adjustable Power
- Extended Scope Rail
- Ring-Loc™ Valve System
- Available in Blue, Red or Original Black Finishes

Power Adjustment	User adjustable
Max Fill Pressure	3000 psi
Action	Single shot
Weight	6.5 lbs
Length	38.75 inches
Barrel	24 inches
Caliber	0.177, 0.20, 0.22, 0.25
Trigger	2 stage, adjustable for position
Safety	Automatic on cocking
Air Tank Volume	490cc
Sights	Open or optical may be installed
Velocity	600-1300 feet per second*
Energy	Up to 105 foot pounds*

* Depending on caliber, pellet weight, and power setting. Shown with optional accessories.

**As with all PCP rifles, an external air supply is needed but not supplied with the rifle.





The CondorSS combines many of the features found on the Condor rifle but integrates our Sound-Loc® sound suppression system to make this not just one of the most powerful small bore air rifles on the market, but also one of the quietest. Capable of up to 90 foot-pounds of muzzle energy this ultra-quiet single shot air rifle is a great option for long range pesting and varmint hunting. And with our Ring-Loc™ valve system and quick-change barrels the CondorSS offers flexibility that other pre-charged pneumatic air rifles can't match.

The CondorSS is available in Blue, Red or Original Black Finishes. We also offer shooting kits to meet your specific shooting application.

- .177, .20, .22 or .25 Caliber Lothar Walther Barrel
- Lightweight
- Recoilless
- Adjustable Power
- Extended Scope Rail
- Ring-Loc™ Valve System
- Available in Blue, Red or Original Black Finishes

Power Adjustment	User-adjustable
Maximum Fill Pressure.....	3000 psi / 200 bar
Action	Single shot
Weight	6.1 lbs.
Length	38.125 inches
Barrel	18 inches
Trigger	2-stage adjustable for position
Sights	Open optical sights may be installed
Air Tank Volume	490cc
Safety	Automatic on cocking
Velocity.....	600-1300 feet per second*
Energy.....	Up to 90 foot pounds*

* Depending on caliber, pellet weight, and power setting. Shown with optional accessories.

**As with all PCP rifles, an external air supply is needed but not supplied with the rifle.



The one that started it all. The Talon® is our original single shot, rear mounted tank design that has been a staple in the pre-charged pneumatic world since its inception in 1997.

Light weight, accurate, and reliable are the Talons strongest suits. Perfect for backyard plinking or small game hunting and a great jumping off point for customization, the Talon is a classic air rifle that deserves its place in airgunning history.



- .177, .20, .22 or .25 Caliber Lothar Walther Barrel
- Lightweight
- Recoilless
- Adjustable Power
- Available in Original Black Finish



Power Adjustment	User adjustable
Max Fill Pressure	3000 psi
Action	Single shot
Weight	5.5 lbs
Length	32.6 inches
Barrel	18 inches
Caliber	0.177, 0.20, 0.22, 0.25
Trigger	2 stage, adjustable for position
Safety	Automatic on cocking
Air Tank Volume	490cc
Sights	Open or optical may be installed
Velocity.....	400-1000 feet per second*
Energy.....	Up to 50 foot pounds*

* Depending on caliber, pellet weight, and power setting. Shown with optional accessories.

**As with all PCP rifles, an external air supply is needed but not supplied with the rifle.



The TalonSS takes the classic Talon air rifle a step further by incorporating our Sound-Loc® sound suppression technology. This makes the TalonSS quiet enough to shoot in the backyard, the basement, or the garage. Featuring our tunable power wheel, the TalonSS can be set up for low power plinking or tuned for hunting small game. The TalonSS will give shooters a high shot count while still providing adequate power for pest control and varmint hunting applications.



The TalonSS is available in Blue, Red or Original Black Finishes.

- .177, .20, .22 or .25 Caliber Lothar Walther Barrel
- Lightweight
- Recoilless
- Adjustable Power
- Available in Blue, Red or Original Black Finishes

Power Adjustment	User adjustable
Max Fill Pressure	3000 psi
Action	Single shot
Weight	5.25 lbs
Length	32.75 inches
Barrel	12 inches
Caliber	0.177, 0.20, 0.22, 0.25
Trigger	2 stage, adjustable for position
Safety	Automatic on cocking
Air Tank Volume	490cc
Sights	Open or optical may be installed
Velocity	400-1000 feet per second*
Energy	Up to 40 foot pounds*

* Depending on caliber, pellet weight, and power setting. Shown with optional accessories.

**As with all PCP rifles, an external air supply is needed but not supplied with the rifle.



The TalonP sets a new standard in air pistol power levels. The Ring-Loc™ valve delivers over 50 foot pounds of energy with a .25 caliber hunting pellet. This pistol is for the serious hunter wanting a compact, yet powerful hunting tool.

The TalonP is available in Original Black Finish.

.25 Caliber Lothar Walther Barrel
 Lightweight
 Recoiless
 Adjustable Power
 Available in Original Black Finish

Power Adjustment User adjustable
 Max Fill Pressure 3000 psi
 Action Single shot
 Weight 3.5 lbs
 Length 24.2 inches
 Barrel 12 inches
 Caliber 0.25
 Trigger 2 stage, adjustable for position
 Safety Automatic on cocking
 Air Tank Volume 213cc
 Sights Open or optical may be installed
 Velocity 500-900 feet per second*
 Energy Up to 50 foot pounds*



The next evolution of one of our most popular airguns! The TalonP Carbine in .25 packs a whole lot of punch as well as innovative features into a very small package. Every TalonP Carbine includes a buttstock as well as a newly designed modular moderator system that was derived from the same moderator used on the AirForce Texan LSS big bore air rifles. In testing, this moderator system has proven to be extremely effective at mitigating the sound of the powerful TalonP air gun. The TalonP Carbine provides the shooter with a powerful, quiet, and lightweight hunting air rifle that can easily be broken down to fit into a pack or day bag so shooters can take it anywhere.

.25 Caliber Lothar Walther Barrel
 Lightweight
 Recoiless
 Adjustable Power
 Available in Original Black Finish

Power Adjustment User adjustable
 Max Fill Pressure 3000 psi
 Action Single shot
 Weight 4.3 lbs
 Length User Adj. 27.75 - 32.25 inches
 Barrel 12 inches
 Caliber 0.25
 Trigger 2 stage, adjustable for position
 Safety Automatic on cocking
 Air Tank Volume 213cc
 Sights Open or optical may be installed
 Velocity 500-900 feet per second*
 Energy Up to 50 foot pounds*



* Depending on caliber, pellet weight, and power setting. Shown with optional accessories.

**As with all PCP rifles, an external air supply is needed but not supplied with the rifle.

The Escape is the ultimate survival rifle. Lightweight, powerful, and easy to fill with a hand pump make it a favorite for those looking for a do all, go anywhere air rifle. All Escape rifles feature the Ring-Loc™ valve system allowing the end user to balance their rifle for optimum shot count and power output. The EscapeSS adds the element of stealth to the long list of what makes the Escape series of rifles the perfect survival tool. Our Sound-Loc® technology quiets the bark of this powerful little rifle, making it a great small game hunter. The Escape UL, or Ultra-Light, weighs in at just 4 pounds, but is capable of generating nearly 90 foot pounds of energy.

- .22 or .25 Caliber Lothar Walther Barrel
- Lightweight
- Recoilless
- Adjustable Power
- Available in Full Size, SS and UL versions
- Original Black Finish



Power AdjustmentUser adjustable
 Max Fill Pressure 3000 psi
 ActionSingle shot
 Weight 5.3 lbs
 Length User Adj. 34.5-39 inches
 Barrel..... 24 inches
 Caliber 0.22, 0.25
 Trigger ... 2 stage, adjustable for position
 SafetyAutomatic on cocking
 Air Tank Volume 213 cc
 Sights..Open or optical may be installed
 Velocity..... 800-1300 feet per second*
 Energy.....Up to 105 foot pounds*

Power AdjustmentUser adjustable
 Max Fill Pressure 3000 psi
 ActionSingle shot
 Weight 4.3 lbs
 Length User Adj. 27.75-32.25 inches
 Barrel..... 12 inches
 Caliber 0.22, 0.25
 Trigger ... 2 stage, adjustable for position
 SafetyAutomatic on cocking
 Air Tank Volume 213 cc
 Sights..Open or optical may be installed
 Velocity..... 500-900 feet per second*
 Energy..... Up to 50 foot pounds*

Power AdjustmentUser adjustable
 Max Fill Pressure 3000 psi
 ActionSingle shot
 Weight 4.25 lbs
 Length User Adj. 28.5-33 inches
 Barrel..... 18 inches
 Caliber 0.22, 0.25
 Trigger ... 2 stage, adjustable for position
 SafetyAutomatic on cocking
 Air Tank Volume 213 cc
 Sights..Open or optical may be installed
 Velocity..... 800-1200 feet per second*
 Energy..... Up to 90 foot pounds*

* Depending on caliber, pellet weight, and power setting. Shown with optional accessories.

**As with all PCP rifles, an external air supply is needed but not supplied with the rifle.

The EDGE has the look and feel of much more expensive precision class air guns but is approved for the Sporter Class and available at a Sporter price. Unique features include an ambidextrous cocking knob, regulated air system, adjustable length of pull, cheek piece, and forearm. It is available with the TS1 Adaptive airgun sight and hooded front sight. The EDGE is the only regulated 3P Air Rifle Council approved Sporter Class Pre-Charged Pneumatic air rifle produced in the USA.

- Ambidextrous Cocking Knob
- Regulated Air System
- Adjustable Length of Pull
- Adjustable Cheek Piece
- Adjustable Forearm
- Extended Scope Rail
- Available in Blue or Red

Edge Flexi-Weights are designed for maximum flexibility. Weights can be mounted anywhere on the frame or muzzle extension allowing dramatic adjustability of overall weight and balance point while still falling within Sporter Class weight limits.

- Single Weight with O-ring - U1066
- Five Pack with O-rings - U1067



Velocity.....	500 feet per second
Max Fill Pressure	3000 psi
Action	Single shot
Weight6.1 lbs
Length	35 - 40 inches
Barrel.....	12 inches
Caliber0.177
Trigger.....	2 stage adjustable
Sights.....	TS1 Adaptive Airgun Sight System
Length of pull	12 to 17 inches
Safety	Manual
Fore End.....	Adjustable

**As with all PCP rifles, an external air supply is needed but not supplied with the rifle.

Edge shown with optional accessories.



RAW

R A P I D A I R W O R K

RAW air rifles trace their roots back to Theoben® Engineering Ltd., one of the most influential air rifle manufacturers of our day. These exceptionally fine rifles are made in the USA by craftsmen with over 30 years of airgun making experience. Building on proven designs, RAW rifles are reliable, powerful, and extremely accurate. Each rifle is tested before leaving the factory to exacting standards, ensuring that every rifle that bears the RAW name lives up to its history. Whether it's one of our custom match rifles, or the newly redesigned Long Range Target(LRT), specifically designed for 100 yard shooting and beyond, you can be sure that RAW rifles are the most accurate production air rifles made in America.

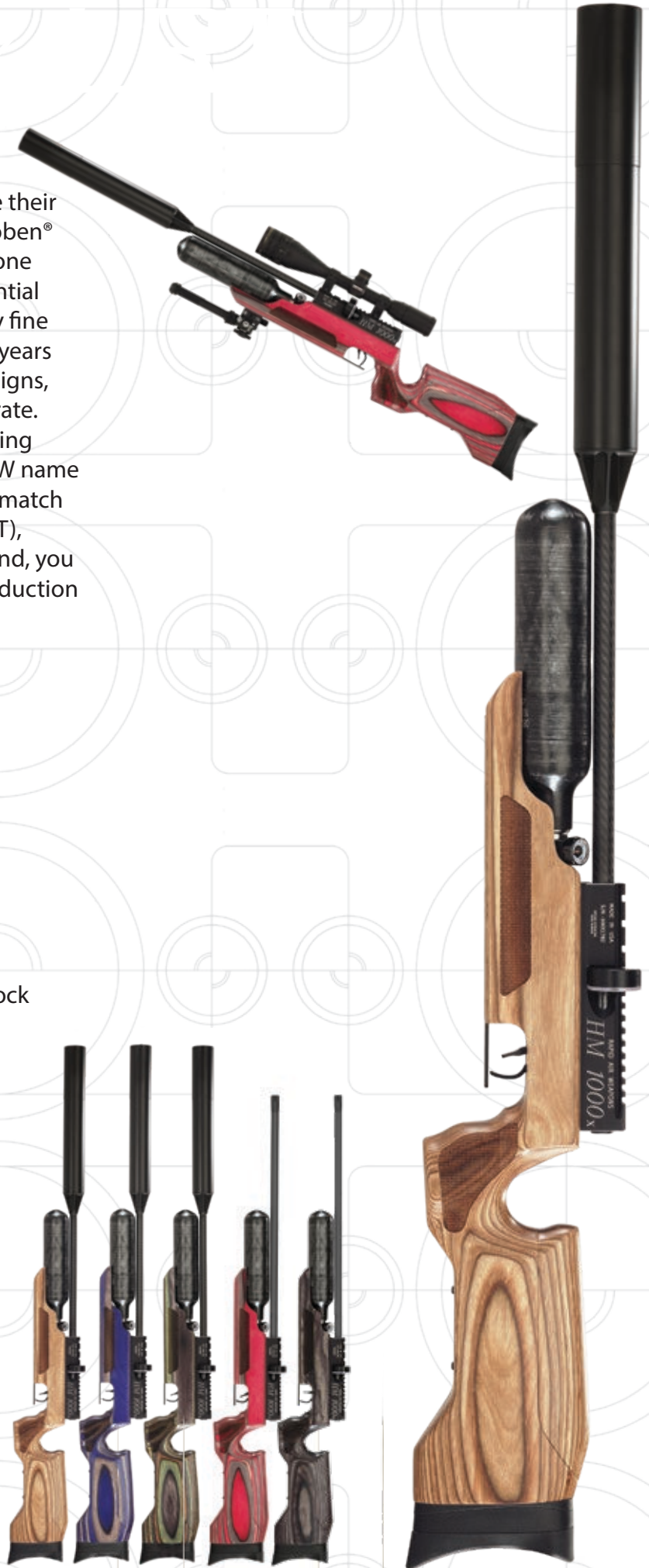
- .22, .25, .30 or .357 Caliber Lothar Walther Barrel
- Rotary Magazine
- Laminate Stocks
- Recoilless
- 1/2 x 20 Threaded Muzzle Option Available
- Adjustable Cheekpiece and Butt Pad
- +20 MOA Picatinny Optic Rail
- M-LOK™ Accessory Rail
- Available with Red, Blue, Brown, Green or Black Stock

Max Fill Pressure	3625 psi
Action	Multi-shot, Side lever
Weight	8.85 lbs
Length	45.37 inches
Barrel	24 inches
Caliber	0.22, 0.25, 0.30, 0.357
Trigger	Match Grade
Safety	Manual
Air Tank Volume	480cc
Rails	Picatinny and M-LOK®
Energy	Up to 135 foot pounds*

* Depending on caliber, pellet weight, and power setting. Shown with optional accessories.

**As with all PCP rifles, an external air supply is needed but not supplied with the rifle.

M-LOK® is a registered mark of the Magpul Corporation



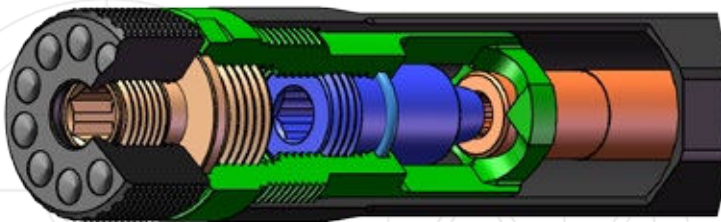
RAW

R A P I D A I R W O R X

Designed as a subcompact small game hunting rifle, the RapidAirWorx MicroHunter is only 27 inches in length and weighs just 5.6 pounds. It is available in .177, .22 and .25 caliber. Despite its diminutive size it will be capable of over 25 foot pounds of muzzle energy. The new BarkStripper™ adjustable air stripper reduces accuracy robbing air turbulence and reduces muzzle report. It also ships with 1/2-20 and 3/4-16 muzzle threads with a thread protector to accommodate additional sound reduction devices.

The premium rifle still comes with R.A.W.s highly regarded adjustable match trigger and a lightweight chassis that accommodates any aftermarket AR-15 stock or pistol grip. It also features generous M-Lok mounting points allowing end-users to add a multitude of off the shelf M-Lok compatible accessories to their rifle.

The MicroHunter will ship with a true ambidextrous stock and an adjustable cheek rest that can be set up for both left and right-handed shooters. The spring-loaded butt pad extends 1.25" with the touch of a button and is adjustable in .45" increments with four positions.



Adjustable BarkStripper™

Action	Multi-Shot, Side Lever
Max Fill Pressure	3000 psi
Regulator	Adjustable
Weight	5.6 lbs
Length	27 inches
Barrel	8.5 inches
Caliber177, .22, .25
Trigger	Fully Adjustable
Safety	Manual
Air Tank Volume	210cc
Optics Rail	11mm

* Depending on caliber, pellet weight, and power setting. Shown with optional accessories.

**As with all PCP rifles, an external air supply is needed but not supplied with the rifle.

M-LOK® is a registered mark of the Magpul Corporation



RAW

R A P I D A I R W O R X

Capable of sub-1-inch groups out to 100 yards, the HM1000x Chassis Rifle by RAW Airguns is the ultimate in long-range precision. The most accurate pre-charged pneumatic air rifle made in the USA has been designed with hunters and competitors in mind. The HM1000x combines reliability, accuracy, and American craftsmanship to provide confidence in hand that is unmatched by any other air rifle.

The RAW HM1000x Chassis Rifle builds on the heritage of its forbearers while adding updated features that hunters and competitors have asked for, combining to create the pinnacle airgunning experience. Whether in the field or on the competition firing line, RAW delivers.



- .22, .25, .30 or .357 Caliber Lothar Walther Barrel
- Rotary Magazine
- 6 Position Adjustable Stock
- Compatible with Most AR-15 Grips and Stocks
- Recoilless
- 1/2 x 20 Threaded Muzzle Option Available
- Adjustable Cheekpiece
- +20 MOA Picatinny Optic Rail
- M-LOK™ Accessory Rail

Max Fill Pressure	3625 psi
Action	Mutli-shot, Side Lever
Weight	7.75 lbs
Length	User Adjustable 43-47 inches
Barrel.....	24 inches
Caliber	0.22, 0.30, 0.357, 0.25
Trigger	Match Grade
Safety	Manual
Air Tank Volume	480cc
Rails	Picatinny and M-LOK®
Stock.....	6 Position Adjustable
Energy.....	Up to 135 foot pounds*

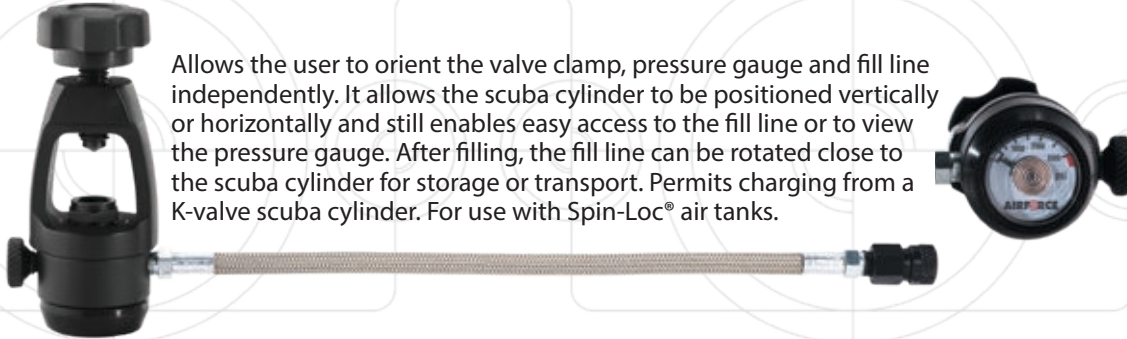
* Depending on caliber, pellet weight, and power setting. Shown with optional accessories.

**As with all PCP rifles, an external air supply is needed but not supplied with the rifle.

M-LOK® is a registered mark of the Magpul Corporation

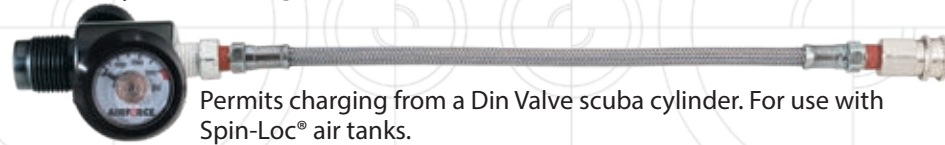


Swingline® Fill System U1063



Allows the user to orient the valve clamp, pressure gauge and fill line independently. It allows the scuba cylinder to be positioned vertically or horizontally and still enables easy access to the fill line or to view the pressure gauge. After filling, the fill line can be rotated close to the scuba cylinder for storage or transport. Permits charging from a K-valve scuba cylinder. For use with Spin-Loc® air tanks.

Din Fill System with quick disconnect U1062



Permits charging from a Din Valve scuba cylinder. For use with Spin-Loc® air tanks.

K-Valve Fill System with quick disconnect U1061



Permits charging from a K-valve scuba cylinder. For use with Spin-Loc® air tanks.

CO2 Adaptor U1050



CO2 adaptor adds the ability to use standard CO2 paintball tanks in place of the full power 3000 psi air tanks on our small bore airguns. Ideal for backyard plinking or indoor target shooting.

Hand Pump U1014



The High Pressure Hand Pump is an alternative to filling from a scuba tank. Hose with quick disconnect included.



1 Edge Spare Tank Only U1070
Edge spare tanks provide complete back up for the big match.

2 TalonP and Escape® Spin-Loc® Spare Tank U2083
Equipped with pressure gauge and quick fill connection. Spin-Loc® System required. Includes Ring-Loc™ Valve System.

3 TalonP and Escape® Quick Detach Spare Tank U1082
Use Quick Detach when a more compact, portable package is needed.

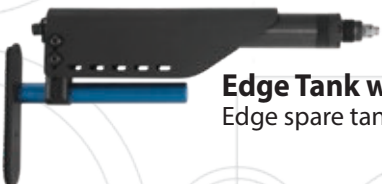
4 Texan CF Series Spare Tank U2090-457 U2090-50
Equipped with pressure gauge and quick fill connection. Fits Texan .457 and .510 calibers only.



5 Spin-Loc® Spare Tanks
Standard Tank - U2084
Hi-Flo Tank (With Ring-Loc™ Valve System) - U2085
Micro-Meter Tank - U2086
Equipped with pressure gauge and quick fill connection. Spin-Loc® System required. High flo tank comes standard with Condor series rifles. May be used with Talon Series rifles with the addition of a striker weight. Micro-meter tanks allow the rifles to shoot at moderate velocities with very low air usage.

6 Quick Detach Spare Tanks
Standard Tank U1005
Hi-Flo Tank U1037
Micro-Meter Tank U1047
Use quick detach tanks when a more compact, portable package is needed.

7 Spin-Loc® Texan® Spare Tank
U2089-457
U2089-357
U2089-308 & 257
U2089-50
Equipped with pressure gauge and quick fill connection. Fits Texan® only.



Edge Tank w/ Butt Stock Assembly U1069
Edge spare tank with butt stock and cheekpiece installed.

TS1 Adaptive Airgun Sight U1057

TS1 is a universal diopter target sight designed for the EDGE 10 meter 3-Position sporter class target rifle. The sight is adaptable to most airguns with its standard 11mm dovetail-mounting base.

Sighting adjustment is performed with large 1/8 minute click adjustment knobs that may be reset to zero.

Sight can be removed from mounting base and clamped into any 1" scope ring. The sight aperture uses the standard European metric thread so adjustable apertures may also be used.



Universal Front Sight U1058

Front Sight with a huge range of vertical adjustment. Mounts to most airgun dovetail grooves. Features a floating aiming point preferred by Olympic shooters.



4-16x50 Scope U1035 • 3-9x50 Scope U1036

Features include fully multi coated optics for maximum light transmission, locking target knobs with crisp quarter-minute clicks, objective lens adjusts down to 10 yards, red, green, and blue lit mil-dot reticle, and heavy construction for use on PCP and Spring guns.



4x32 Scope U1098

Comes with fully multi coated optics for maximum light transmission, covered knobs with crisp quarter-minute clicks, duplex reticle, and heavy construction for use on PCP and Spring guns.



Target Sight Set U1056

Includes U1057 and U1058



Dovetail to Picatinny/ Weaver Adaptor U1075

Dovetail mount accepts Picatinny/Weaver style rings and accessories. Use alone or in sets depending on mounting requirements.



Tri-Rail Scope Base U1039

The Tri-Rail mount offers dovetail-mounting surfaces on three sides and raises the sight line so standard scope rings may be used.

Bipod U2006

The new carbon fiber bipod features a friction lock lever and the ability to mount to the top or bottom of the rifle.



Pistol Shoulder Stock U1081

Easily attaches to TalonP and Escape tanks.

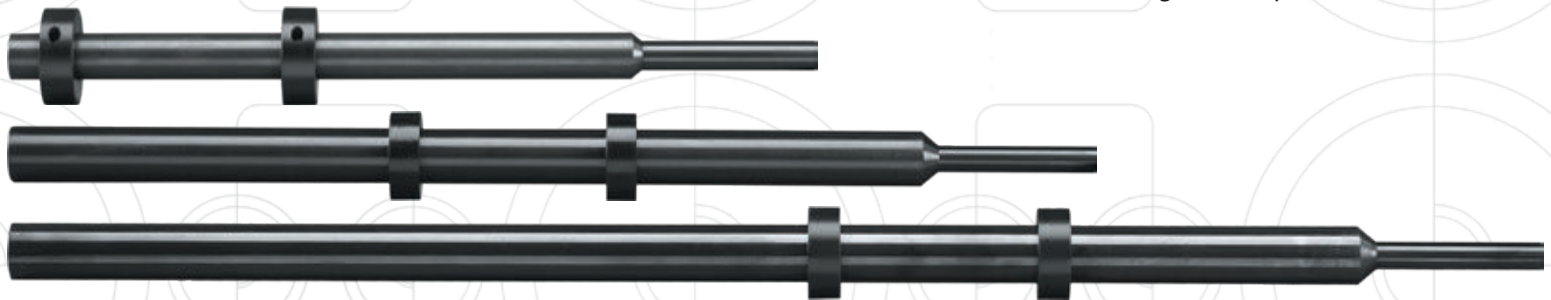


Adds 1/4" to 4-3/4" to length of pull.

Sling Swivel Stud Set U1007



Allows the shooter to quickly mount a sling to the top or bottom of the rifle.



Lothar Walther Barrels

Interchangeable barrels in a variety of lengths are available in .177, .20, .22 and .25 cal.

24" 16mm Lothar Walther Barrel .25 U1073 • .22 U1032 • .177 U1033 • .20 U1053

18" 16mm Lothar Walther Barrel .25 U1072 • .22 U1030 • .177 U1031 • .20 U1052

18" 12mm Lothar Walther Barrel .25 U1095 • .22 U1094 • .177 U1097 • .20 U1096

12" 12mm Lothar Walther Barrel .25 U1071 • .22 U1028 • .177 U1029 • .20 U1051

Ring-Loc® Valve Kit U1089

Kit allows shooters to have more adjustability from a new Condor or CondorSS air rifle. AirForce has even included a valve cap that shooters can modify themselves for their own energy level setting.

3 spare O-rings & 2 Valve Cap Wrenches

5 Valve Caps with multiple orifice sizes:

Size	Caliber used	Energy
.232	.22/.25	up to 105 ft lbs
.166	.177, .20, .22, .25	up to 80 ft lbs
.145	.177, .20, .22, .25	up to 60 ft lbs
.123	.177, .20, .22, .25	up to 40 ft lbs
.070	Starter hole for custom port sizes.....	∞

U1089 Kit Includes



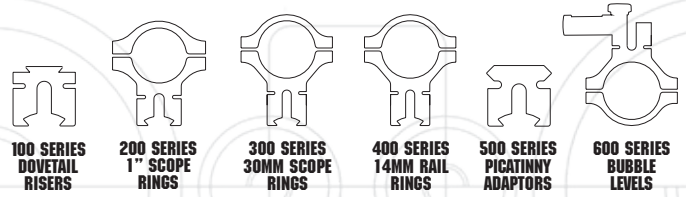


Finish off your latest rimfire or airgun & scope acquisition with mounts from BKL designed to fit any standard 3/8 inch rimfire or 11mm airgun dovetails. The strong one piece clamping base allows easy mounting of 1 inch and 30mm rifle or pistol scopes.

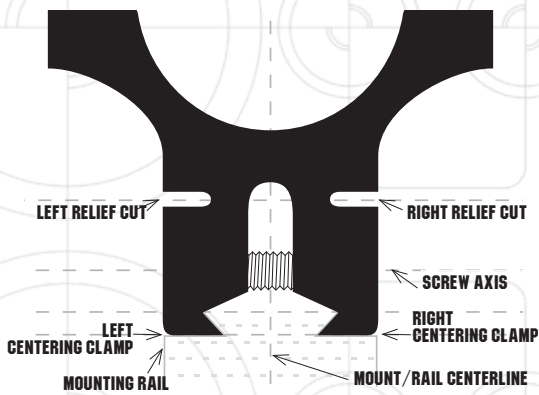
Patented Auto-Centering™ technology solves the problems created by varying mounting rail widths. Clamping legs move equally as the clamping screws are tightened keeping the scope centered on the rail.

Oversize mounting rails are no problem, the clamping screws can be switched to spreader holes to evenly push the clamping legs apart and allow the mount base to slide onto the dovetail.

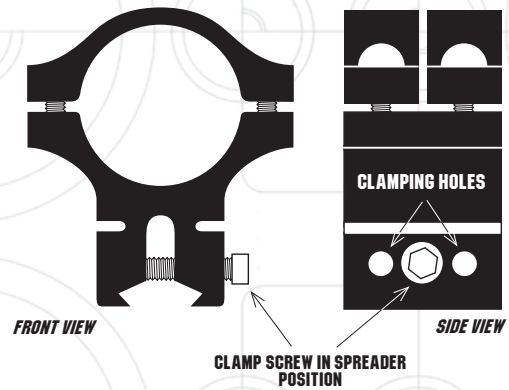
Airgunners and Rimfire shooters can now also benefit from the multitude of Picatinny rail mounted optics and accessories with our Weaver/Picatinny to dovetail adaptor mounts. BKL mounts are manufactured from aircraft grade aluminum alloy on state of the art machinery in Texas, USA. They can be purchased at your local retailer or online at bkltech.com.



AUTO-CENTERING STANDARD ON ALL SERIES



CLAMP SPREADING CAPABILITY STANDARD ON ALL SERIES



BKL UNITIZED MOUNTS WITH 6 SCREW CLAMPING POWER

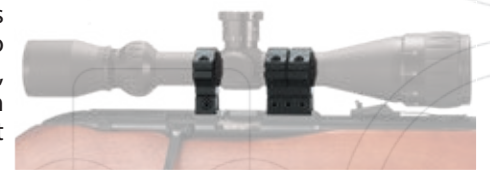


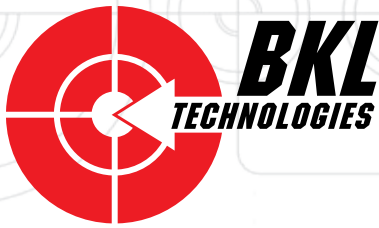
BKL one-piece or unitized mounts are built to hold your scope firmly in place on your airgun or rimfire in the harshest conditions. Our unique 6-screw base with Auto-Centering™ and Clamp Spreading capability ensure the easiest possible mount and total reliability that your scope is not going for a walk.

WITH BKL, NOW YOU CAN HAVE JUST ONE!



BKL Singles Rings and Risers are the answer to a serious shooter's common dilemma: the need for 2 different ring mounts to maximize the scope's stability on the gun. Get the rings you need, whether it is a new triple strap ring to increase clamping force on the rail or an offset ring when you run out of rail. Now you can get the ring set you need.





**DOVETAIL TO DOVETAIL RISER MOUNTS
FOR 3/8" AND 11MM DOVETAILS
RISER MOUNTS FOR
EVERY APPLICATION**



**1 INCH RING MOUNTS
FOR 3/8" AND 11MM DOVETAILS
OVER 25 STYLES AVAILABLE**



**30MM RING MOUNTS
FOR 3/8" AND 11MM DOVETAILS**



VISIT WWW.BKLTECH.COM FOR FULL SELECTION

**1 INCH RINGS, MOUNTS &
ADAPTORS FOR 14MM DOVETAILS**



**DOVETAIL TO WEAVER/PICATINNY
ADAPTOR MOUNTS**



SCOPE LEVEL SYSTEMS



BKL-620 RING MOUNT LEVEL ATTACHES EASILY

**ADJUSTABLE
SCOPE MOUNTS**



VERTICAL ADJUSTMENT KNOB

The BKL adjustable mount system is a significant improvement over the traditional adjustable scope mounts available on the market today; this design incorporates side rails for mounting additional shooting accessories, a much lower profile than usually achievable in an adjustable mount, 2.5 inches of clamping length with six clamping screws. available in 1 INCH or 30mm.

**BKL-388MB
4" LONG ADJUSTABLE
DOVETAIL MOUNT 30MM
MATTE BLACK**



**BKL-288MB
4" LONG ADJUSTABLE
DOVETAIL MOUNT 1 INCH
MATTE BLACK**



AIRFORCE[®]
a i r g u n s



RAW
R A P I D A I R W O R X

Contact Us:

AirForce Airguns
PO BOX 2478
Fort Worth, TX 76113

Phone:
1.877.247.4867

Email:
staff@airforceairguns.com